



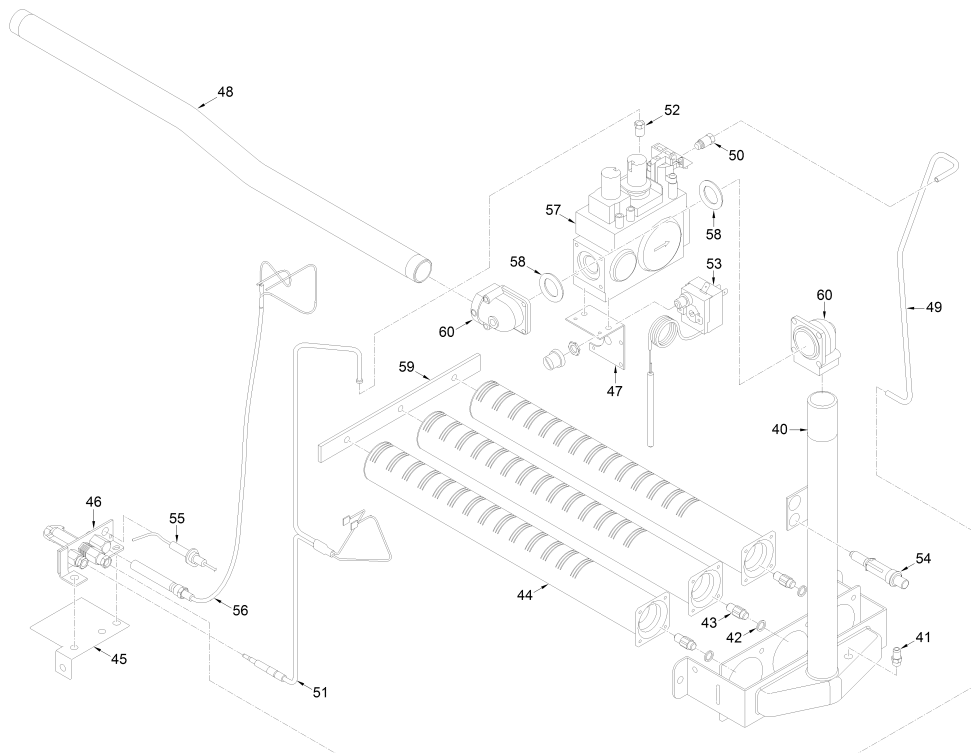
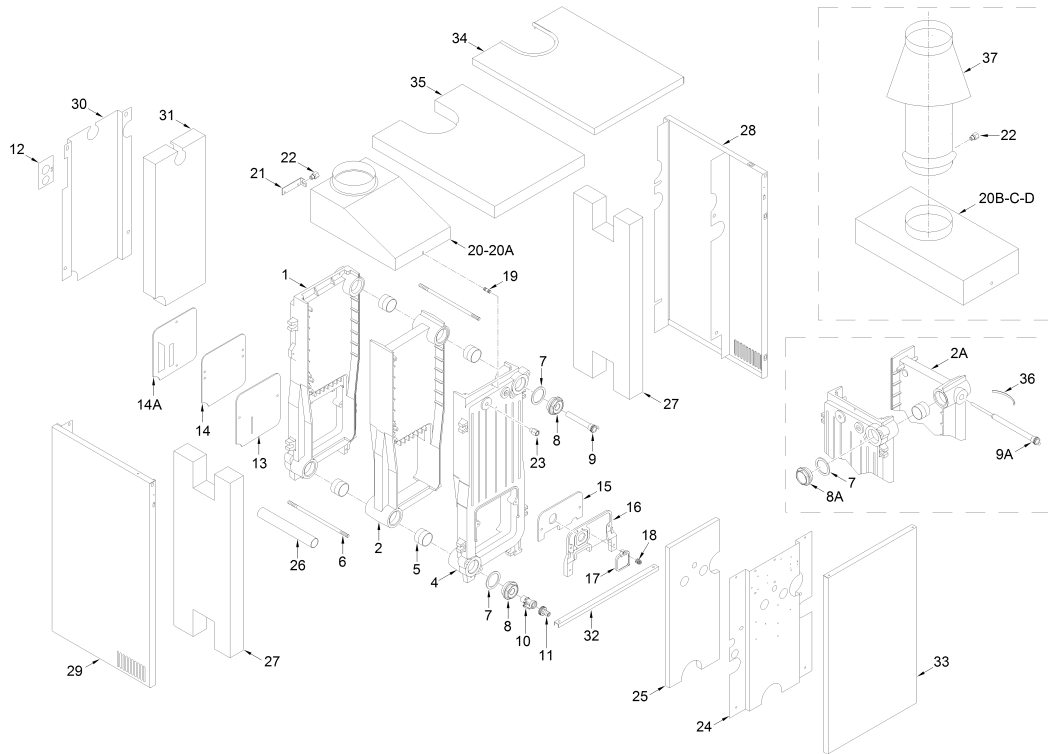
Fonderie Sime S.p.A. - Via Garbo, 27 - 37045 Legnago (VR) - www.sime.it
Tribunale Verona 13531 - R.E.A. VR 171357 - C.C.P. 19423375 - N° Mecc. VR 014435
Capitale Sociale Euro 5.521.200 int. versato - Codice Fiscale/Partita IVA n. IT 01275930236

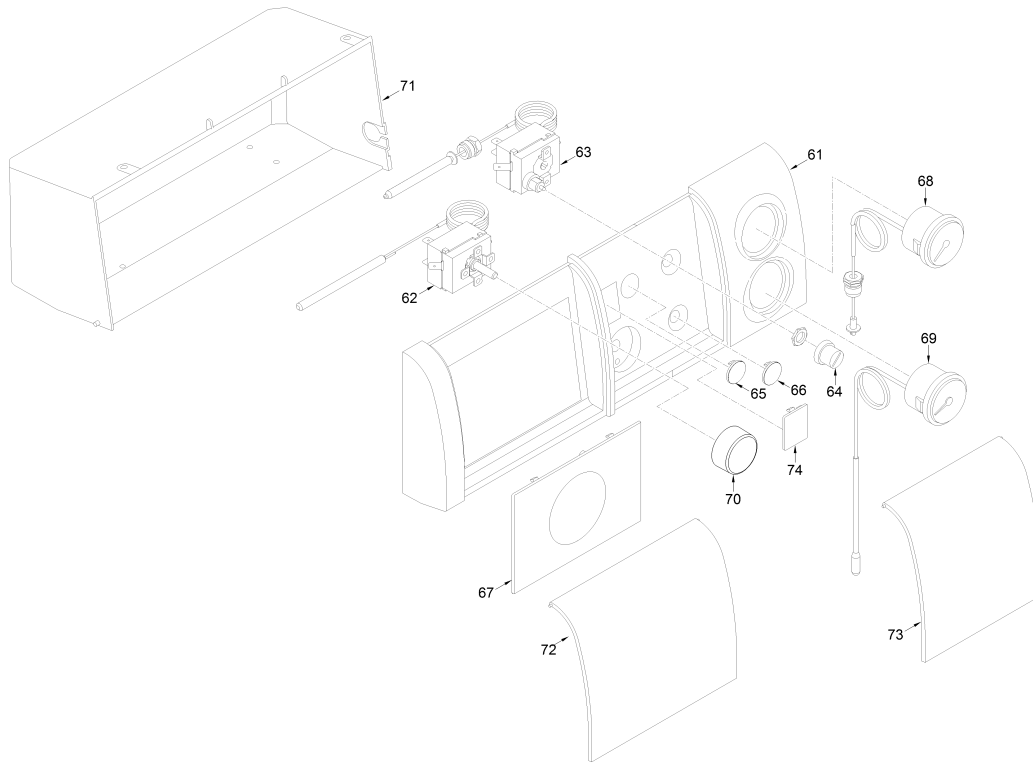
Comfort Ambiente - Via Garbo, 27 - 37045 Legnago (VR)

Tel +39 0442 631111 - Fax Servizio Commerciale: Italia +39 0442 631291 - Estero +39 0442 631293

Fax Servizio Tecnico +39 0442 631292 - Fax Ufficio Acquisti +39 0442 631292 - Fax Amministrazione +39 0442 631336

8038721 GAS FIRED BOILER RX 48 TP





Position	Code	Description	Where used	Advised parts	Price list
001	6263601	Rear section			132.43
002	6263701	Intermediate section			128.87
002A	6263801	Intermediate section for bulb h			132.43
004	6263502	Front section			132.43
005	6193201	Push nipple 1-1/2"			2.36
006A	5186015	Tie-rod M10X565			4.15
007	2030224	Gasket Ø 47,3x61x2			2.36
008	2041100	Reducer 1-1/2"x1/2"			5.91
008A	2041000	Plug 1-1/2"			7.11
009A	5004200	Bulb holder 1/2" L=190			9.46
010	6179102	Drain cock 1/2"			11.81
011	6179200	Holder complete with locking nu			4.72
012	6030500	Connections holder			4.72
013	6098801	Combust. chamber rear door insu			4.72
014A	6098700	Rear door combustion chamber			13.01
015	6019801	Front door insulation			2.36
016	6019901	Front door			10.64
017	6037601	Window			5.91
018	2050000	Spring TDM			0.81
019	6000604	Stud M6x17 Zn			0.61
020C	5065301	Smoke chamber			49.66
022	6070802	Bulb holder reducer			2.36
023	6228000	Non return valve 1/4"			5.91
024	6062404	Front panel			21.28
025	6035106	Front pannel insulator			4.72
026A	6034205	Plastic pipe Ø 33x538			7.11
027A	6204305	Casing hand side panel			8.52
028A	5058985	Casing right hand side panel			61.48
029A	5059095	Casing left hand side panel			61.48
030	6085904	Rear panel			21.28
031	6035105	Rear pannel insulator			4.72
032	6196102	Side panels lower bracket			10.64
033	5059411	Casing front upper door			52.02
034A	6086292	Casing top cover			44.93
035A	6085607	Casing top cover insulator			5.91
036	2051000	Contact spring			0.81
037	6036200	Down draft diverter Ø 180 mm.			168.79
040	6132000	Burner manifold			28.37
041	6023100	Pressure test nipple Ø 1/8"			2.36
042	6022001	Aluminium washer Ø 10			0.61
043B	6050237	Nozzle Ø 3,90 for natural gas	MET		4.72
043C	6050211	Nozzle Ø 2,20 for L.P.G.	GPL		4.72
044A	6085100	Burner bar type 667/9A L=568			31.92
045	6084600	Pilot burner fixing			8.28
046	6078004	Low pressure gas pilot burner			35.67
047	6063000	Limit stat securing bracket			4.72

048A	6032705	Gas inlet pipe 3/4" L=710 mm		20.11
049	6085701	Pilot burner feeding pipe		21.63
050	6168600	Push nipple + nut for pipe Ø 6		2.36
051	6180011	Interrupted thermocouple		20.11
052	6182300	Nut M9x1 for thermocouple		2.36
053	6173303	H.L. stat		27.31
054	6073700	Piezo-igniter		14.18
055	6221663	Ignition electrode		15.3
056	6111001	Thermopile		60.17
057	6212702	Gas valve		111.44
058	6025500	ORing Ø 34x2		2.36
059	6036001	Burner holding plate		4.72
060	6022600	Elbow flange 3/4"F + ORing		14.18
061	6261000	Control panel		18.91
062	6003602	Boiler stat		28.4
063	6001411	Smoke stat		25.13
064	6255300	H.L. stat plastic plug		0.81
065	6119330	Plug for button hole		0.0
066	6119340	Plug for stat hole		0.81
067	6155401	Plastic cover		2.36
068	6146101	Hydrometer	B	17.74
069	6146001	Thermometer 0-120°C		17.74
070	6240102	Boiler stat handle Ø 35 mm		5.91
071	6261100	Control panel protection RX		11.81
072	6261200	Plastic cover (white)		8.28
073	6261201	Control panel transparent flap		8.28
074	6247310	1 hole switch plate		0.0
700	5095457	Complete control panel		0.0
701	6066109	Polidoro pilot burner nozzle Ø	met	0.0
702	6066113	Pilot burner nozzle Ø 0,27	gpl	8.28
703	1232401	Glass sealing cord Ø9 L=1,7 mt		9.27
710	5072808	L.P.G. conversion kit		0.0

A = Spare parts for minimum fittings
A+B = Spare parts for basic safety fittings
A+B+C = Spare parts for extended safety fittings